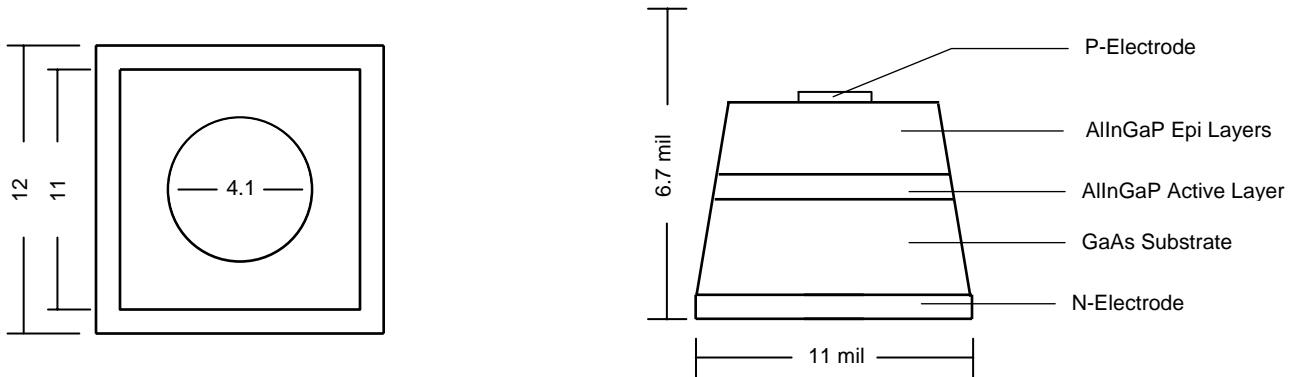


# TCBC12UYU-2



- ❖ Features:
  - AllnGaP/GaAs LED Chips

- ❖ Outline Dimensions:



- ❖ Physical Structure:

|                 |          |               |                 |                                       |
|-----------------|----------|---------------|-----------------|---------------------------------------|
| Chip dimensions |          | Chip size     | 12 mil x 12 mil | 300 $\mu\text{m}$ x 300 $\mu\text{m}$ |
|                 |          | Thickness     | 7 mil           | 178 $\mu\text{m}$                     |
|                 |          | Emission area | 11 mil          | 275 $\mu\text{m}$                     |
|                 |          | Bonding pad   | 4.1 mil         | 104 $\mu\text{m}$                     |
| Electrode       | Top      | P (anode)     | Gold alloy      |                                       |
|                 | Backside | N (cathode)   | Gold alloy      |                                       |

YELLOW

- ❖ Electro-Optical Characteristics:

| Parameter                     | Symbol          | Condition             | Min. | Typ. | Max. | Unit |   |
|-------------------------------|-----------------|-----------------------|------|------|------|------|---|
| Forward Voltage               | $V_F$           | $I_F = 20\text{mA}$   | -    | 2.10 | 2.40 | V    |   |
| Wavelength                    | $\lambda_d$     | $I_F = 20\text{mA}$   | 591  | 595  | 599  |      |   |
| Spectral width at half height | $\Delta\lambda$ | $I_F = 20\text{mA}$   | -    | 16   | -    | nm   |   |
| Reverse Voltage               | $V_R$           | $I_F = 10\mu\text{A}$ | 5    | -    | -    | V    |   |
| Luminous Intensity            | $I_v$           | $I_F = 20\text{mA}$   | 60   | -    | -    | mcd  |   |
|                               |                 |                       | U8   | 70   | -    |      | - |
|                               |                 |                       | U9   | 80   | -    |      | - |
|                               |                 |                       | S1   | 90   | -    |      | - |
|                               |                 |                       | S2   | 100  | -    |      | - |
|                               |                 |                       | S3   | 110  | -    |      | - |
|                               |                 |                       | S4   | 120  | -    |      | - |
|                               |                 |                       | S5   | 130  | -    |      | - |
|                               |                 |                       | S6   | 140  | -    |      | - |
|                               |                 |                       | S7   | 150  | -    |      | - |
|                               |                 |                       | S8   | 160  | -    |      | - |
|                               |                 |                       | S9   | 170  | -    |      | - |
|                               |                 |                       | SA   | 180  | -    |      | - |
|                               |                 |                       | SB   | 190  | -    |      | - |
| SC                            | 200             | -                     | -    |      |      |      |   |
| SD                            |                 |                       |      |      |      |      |   |