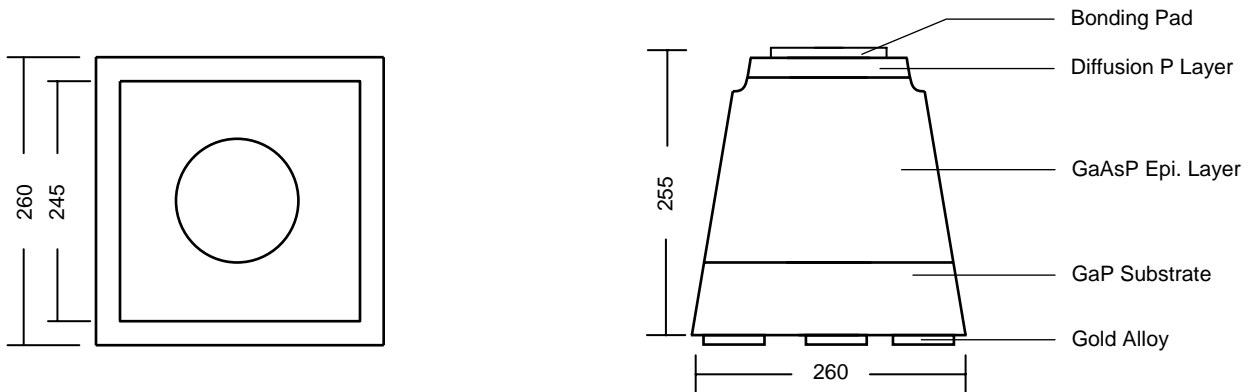


1261 Broadway, Suite 403  
 New York, NY 10001  
 Phone: (212) 213-8290  
 Fax: (212) 213-6906

Three Five (III-V)  
 Compounds, Inc.

# TC011HOR

❖ Outline Dimensions:



❖ Physical Structure:

Chip dimensions		Chip size	11 mil x 11 mil	260 $\mu\text{m}$ x 260 $\mu\text{m}$
		Thickness	10 mil	255 $\mu\text{m}$
		Emission area	9.6 mil	245 $\mu\text{m}$
Electrode	Top	P (anode)	Aluminium (Gold optional)	
	Backside	N (cathode)	Gold alloy	
Surface condition		Not frosted		

❖ Electro-Optical Characteristics:

Parameter	Symbol	Condition	Min.	Typ.	Max.	Unit
Forward Voltage	$V_F$	$I_F = 20\text{mA}$	-	2.05	2.60	V
Reverse Current	$I_R$	$V_R = 5\text{V}$	-	-	10	$\mu\text{A}$
Wavelength	$\lambda_p$	$I_F = 20\text{mA}$	-	642	-	nm
	Hue	$I_F = 20\text{mA}$	-	629	-	
Spectral Width at Half Height	$\Delta\lambda$	$I_F = 20\text{mA}$	-	35	-	nm
Reverse Voltage	$V_R$	$I_R = 10\mu\text{A}$	5	-	-	V
Luminous Intensity	$I_v$	$I_F = 20\text{mA}$	6.0	-	-	mcd